



征和官方公众号



征和官网



征和官方抖音

**ISO 9001**  
1999年-至今  
持续通过ISO9001  
质量体系认证



Recycled Paper



**CHOHO**



**CHOHO**



制造厂商: 青岛征和工业股份有限公司  
地 址: 中国青岛平度市香港路112号  
电 话: 0532-83305969  
<http://www.chohogroup.com>

QINGDAO CHOHO INDUSTRIAL CO.,LTD.  
Add: No.112 Hongkong Road,Pingdu, Qingdao City, 266700 China.  
Tel / Fax: +86-532-83305969 E-mail:info@chohogroup.com  
<http://www.chohogroup.com>

Your sales representative



印刷于中国  
Recycled Paper 2023-02-Zh

本媒体包含的数据源自公司 2023 年 02 月资料, 若有变动不再告之, 请消费者谨慎参考。其中图片是本系列的部分产品, 并不代表所有产品, 所述产品的具体设计取决于制造商的要求和实际情况, 因此可能会与本媒体中的描述有所出入。

2023

**LOGISTICS  
TRANSPORT  
CHAIN 物流运输链**



行业首家A股上市公司  
证券代码 003033

征和链系统技术领导者  
Choho, Chain Transmission Technology Leader



## 青岛征和工业股份有限公司 Qingdao CHOHO Industrial Co., Ltd

### 征和 - 链系统技术领导者

青岛征和工业股份有限公司, 创立于 1987 年。创建以来, 公司从小到大, 从弱到强, 始终保持高速、健康的发展, 目前, 征和已成为中国链传动行业首家 A 股上市公司、国家认定企业技术中心、国家技术创新示范企业、国家高新技术企业、国家制造业单项冠军示范企业和国家工信部专精特新“小巨人”企业。在工业自动化链传动系统、发动机链系统、车辆链条等领域, 征和已成为行业领军企业。2022 年, 征和产品为昆船、新松、青岛软控、沈飞、信源、海尔、中通等上百家知名厂家配套; 车辆链系统已为本田、铃木、雅马哈、宝马、大长江、比亚乔、本田技研、吉利、比亚迪、江铃福特等五十多家企业提供产品和技术服务; 农机链系统为 CLAAS、雷沃、爱科、迪尔、巨明等行业知名厂家配套。

目前, 征和公司主导产品已达国际先进水平, 承担多项国家级重大科研项目, 并制修定了 24 项国家或行业标准, 获得 220 余项国家发明和新型专利, 为行业的技术进步起到了引领和指导作用。

### CHOHO, Chain Transmission Technology Leader

Qingdao CHOHO industrial co., LTD., is founded in 1987. Since its burn, the company from small to large, from weak to strong, always maintain high-speed, healthy development. At present, it has become the first A-share listed company in China chain drive industry, the national recognized enterprise technology center, national technology innovation demonstration enterprises, national high-tech enterprises, national manufacturing individual champion demonstration enterprise and the ministry of industry and information technology specializes in special new small giant enterprises. It has become the industry leader in industrial automation chain drive system, engine chain system, vehicle chain and other fields. By 2022, CHOHO's products will support more than 100 well-known manufactures such as KESC, SIASUN, MESNAC, AVIC, SIWUN, Haier, ZTO and other industries; The vehicle chain system has provided products and technical services to more than 50 enterprises such as Honda, Suzuki, Yamaha, BMW, Dachangjiang, Piaggio, Honda technology research, Geely, BYD and JIANGling Ford; The agricultural chain system is supporting well-known manufactures in CLAAS, LOVOL, AGCO, DEERE, GIMIG and other industries.

Now, CHOHO's main product has reached international leading level. CHOHO is responsible for several national level important research and development projects, has amended 24 national or industrial standard and obtained more than 220 national invention as well as new modal patents, which performs a role of leading and instructing in the technology development of this industry.



2017 年获得行业首批国家技术创新示范企业  
2017 The first batch of National technology innovation demonstration enterprise



2020 年获得国家专精特新“小巨人”企业  
2020 National specialized new "little Giant" enterprise

## 荣誉 Honor

国家认定企业技术中心

国家技术创新示范企业

国家高新技术企业

国家制造业单项冠军示范企业

国家工信部专精特新“小巨人”企业

首届中国机械工业优质品牌

山东省重点培育和发展的国际知名品牌

山东名牌产品 (工业链条)

首届青岛市市长质量奖

National Certified Enterprise Technology Center

National technology innovation demonstration enterprise

State-level high-tech enterprise

National manufacturing individual champion demonstration enterprise

The ministry of industry and information technology specializes in special new small giant enterprises

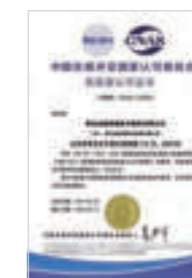
First-session China Machinery Industry Excelleng Brand

Provincial Key Cultivating and Developing International Famous Brand

Shandong famous brand products (industrial chain)

First-session Qingdao Mayor Quality Award

- 1999 年, 通过法国 BVQI ISO9002 质量管理体系认证
- 2003 年, 通过挪威 DNV ISO9001 质量体系认证
- 2007 年, 通过 TS16949 质量管理体系认证
- 2008 年, 通过 OHSAS18001 职业健康安全体系认证
- 2008 年, 通过 ISO14001:2004 环境管理体系认证
- 2009 年-2015 年, 通过德国 TUV 莱茵 ISO9001:2008 质量管理体系认证
- 2009 年-2018 年, 通过德国 TUV 莱茵 TS16949:2009 质量管理体系认证
- 2015 年, 通过青岛世通 ISO9001:2008 质量管理体系认证
- 2018 年, 通过青岛世通 ISO9001:2015 质量管理体系认证
- 2018 年, 通过德国 TUV 莱茵 IATF16949:2016 质量管理体系认证
- 2018 年, 获得 CNAS 实验室认可证书
- 2021 年, 通过德国 TUV 莱茵 ISO9001:2015 质量管理体系认证
- 2022 年, 通过 ISO45001:2018 职业健康安全体系认证
- 2022 年, 通过 ISO14001:2015 环境管理体系认证



# SIDE BOW CHAIN

侧弯链

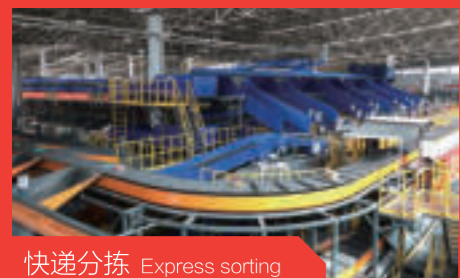


## INTRODUCE

Side bow chain are usually used in logistics conveying systems, The side bow chain can bear a large load for long-distance transportation; The conveying form is straight and curved conveying.

侧弯链条通常用于物流运输系统，侧弯链条可以承受较大的载荷，适合长距离运输。输送形式有直线输送和曲线输送。

### 行业应用 APPLICATION INDUSTRY



快递分拣 Express sorting



工业流水线 Industrial assembly line



机械传送 Mechanical transmission

CHOHO

## FEATURES 产品特点

### 滚子 Roller

无缝冷镦一体成型，具有极佳的抗冲击能力

Seamless cold heading integrated molding, with excellent impact resistance performance

### 外链板 Outer Plate

经过热处理和抛丸处理，提高了链条的拉力和疲劳性能

After heat treatment and shot blasting, the tensile and fatigue performance of the chain are improved

### 内链板 Inner Plate

经过热处理和抛丸处理，提高了链条的拉力和疲劳性能

After heat treatment and shot blasting, the tensile and fatigue performance of the chain are improved

### 输送附板 Conveyor Attached Plate

一体折弯成型，具有极佳的尺寸一致性，保证输送过程稳定

Integrated bending forming, with excellent size consistency, ensuring stable conveying process

### 销轴 Pin

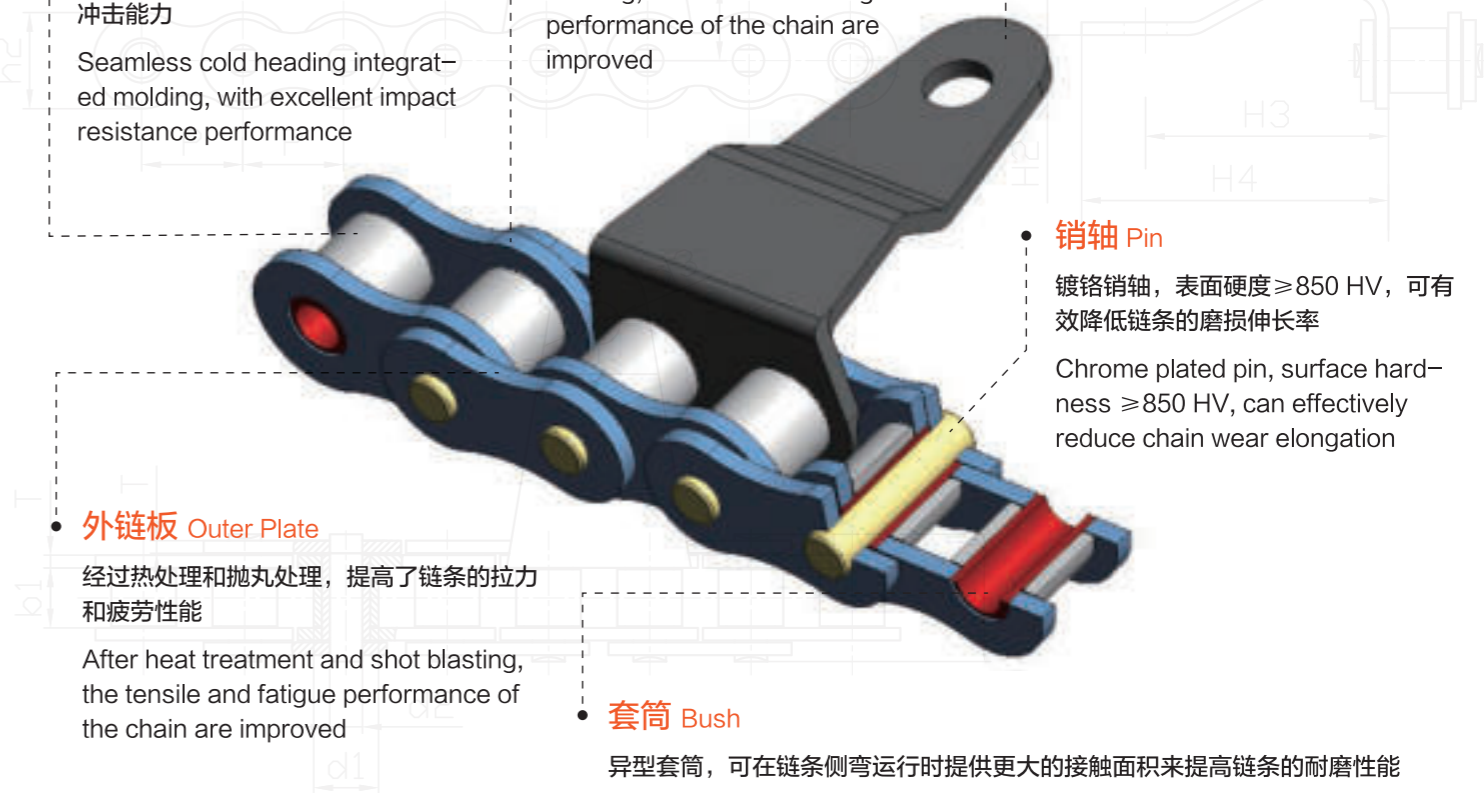
镀铬销轴，表面硬度 $\geq 850$  HV，可有效降低链条的磨损伸长率

Chrome plated pin, surface hardness  $\geq 850$  HV, can effectively reduce chain wear elongation

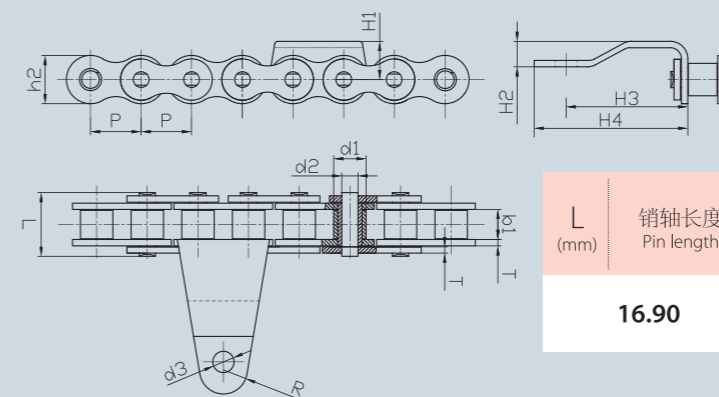
### 套筒 Bush

异型套筒，可在链条侧弯运行时提供更大的接触面积来提高链条的耐磨性能

Special-shaped bush can provide greater contact area to improve the wear resistance of the chain when the chain is running in side bending



Side Bow Chain (CHOHO Chain No. 40-SB-1)  
侧弯链 (征和链号40-SB-1)



P (mm)	节距 Pitch	d1 (mm)	滚子直径 Roller diameter	d2 (mm)	销轴直径 Pin diameter
12.70		7.92		3.96	
L (mm)	销轴长度 Pin length	T (mm)	链板厚度 Plate thickness	R (mm)	侧弯半径 Side bow radius
16.90		1.50		350.00	
Q <sub>min</sub> (kN)	抗拉强度 Ultimate tensile strength				13.80

\*图纸仅为该类别下代表型号，表格仅列举部分重要参数，更多同类型号及详细参数可查阅最新工业链样册。

# ACCUMULATION CHAIN

## 倍速链

CHOHO

## FEATURES 产品特点

### 滚子 Roller

选用优质中碳钢，配合特殊热处理工艺，具有极佳的承载能力

Selection of high quality medium carbon steel, with special heat treatment process, with excellent bearing capacity

### 内链板 Inner Plate

经过热处理和抛丸处理，提高了链条的拉力和疲劳性能

After heat treatment and shot blasting, the tensile and fatigue performance of the chain are improved

### 销轴 Pin

采用化学热处理，表面硬化层可增加链条的磨损寿命

Using chemical heat treatment, the surface hardening layer can increase the wear life of the chain

### 外链板 Outer Plate

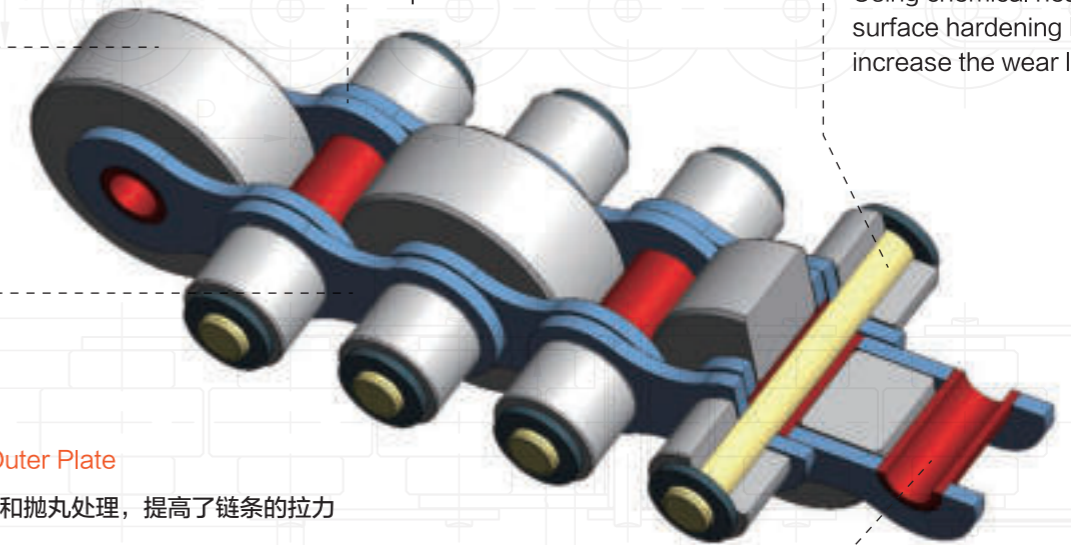
经过热处理和抛丸处理，提高了链条的拉力和疲劳性能

After heat treatment and shot blasting, the tensile and fatigue performance of the chain are improved

### 套筒 Bush

无缝冷锻一体成型，特殊工艺处理，提高链条磨损寿命

Seamless cold heading integrated molding, Special processing to improve the wear life of the chain



INTRODUCE

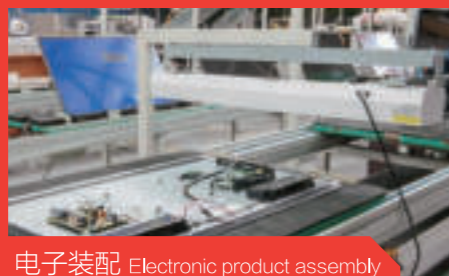
Accumulation chain have extra bearing roller(steel or plastic) except for the rollers that mesh with the sprockets, in order to play the role of transport in use.

倍速链除与链轮啮合的滚子外，还有额外的钢制或塑料制滚子，以在使用中起到输送作用。

### 行业应用 APPLICATION INDUSTRY



家电生产线 Household appliance line

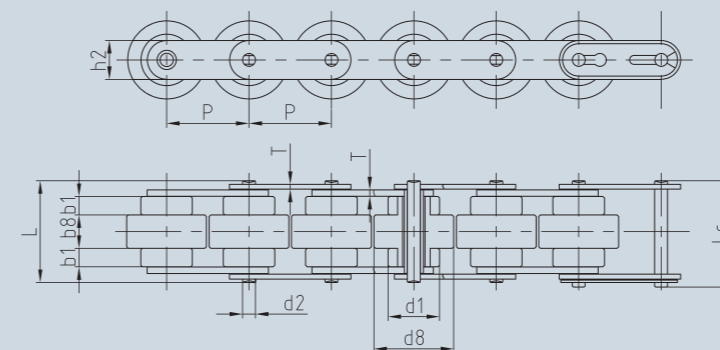


电子装配 Electronic product assembly



数码产品装配 Digital product assembly

Accumulation Chains (CHOHO Chain No. BS25-C2040)  
倍速链 (征和链号BS25-C2040)



P (mm)	节距 Pitch	d1 (mm)	滚子直径 Roller diameter	d2 (mm)	销轴直径 Pin diameter
12.70		8.51		4.45	
L (mm)	销轴长度 Pin length	T (mm)	链板厚度 Plate thickness	Q <sub>min</sub> (kN)	抗拉强度 Ultimate tensile strength
27.00		1.56		18.00	

\*图纸仅为该类别下代表型号，表格仅列举部分重要参数，更多同类别型号及详细参数可查阅最新工业链样册。

# RUBBER ATTACHMENT PLATE CHAIN

橡胶附板链



## INTRODUCE

Rubber attached plate chain is a chain with rubber attached plate added to the base of standard roller chain. The chain conforms to ISO, ASME/ANSI, DIN, JIS and other standards.

橡胶附板链是在标准滚子链基础加装橡胶附板的链条，母链符合ISO, ASME/ANSI, DIN, JIS等标准。

## 行业应用 APPLICATION INDUSTRY



药品加工 Pharmaceutical processing



危险品加工 Dangerous goods processing



珠宝加工 Jewelry processing

CHOHO

## FEATURES 产品特点

### 滚子 Roller

无缝冷镦一体成型，具有极佳的抗冲击能力  
Seamless cold heading integrated molding, with excellent impact resistance performance

### 内链板 Inner Plate

经过热处理和抛丸处理，提高了链条的拉力和疲劳性能  
After heat treatment and shot blasting, the tensile and fatigue performance of the chain are improved

### 橡胶附板 Rubber Attached Plate

硫化成型，尺寸一致性好，默认材质为NBR75，也可根据需求定制  
Vulcanized molding, size consistency is good, the default material is NBR75, can also be customized according to demand

### 销轴 Pin

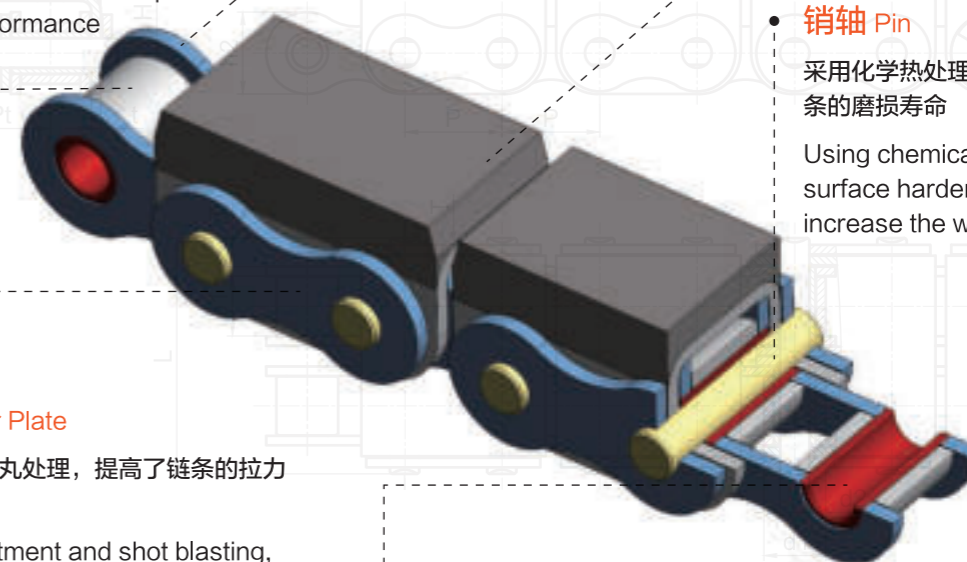
采用化学热处理，表面硬化层可增加链条的磨损寿命  
Using chemical heat treatment, the surface hardening layer can increase the wear life of the chain

### 外链板 Outer Plate

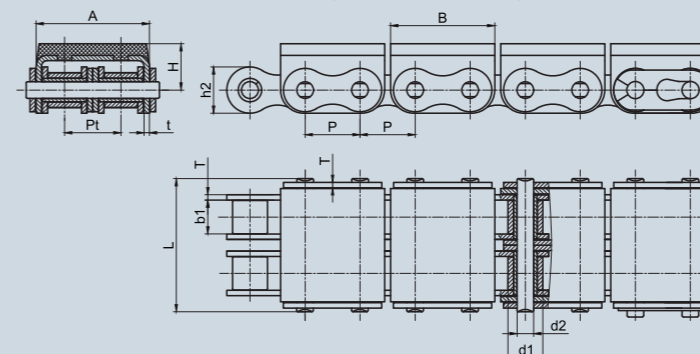
经过热处理和抛丸处理，提高了链条的拉力和疲劳性能  
After heat treatment and shot blasting, the tensile and fatigue performance of the chain are improved

### 套筒 Bush

无缝冷镦一体成型，特殊工艺处理，提高链条磨损寿命  
Seamless cold heading integrated molding, Special processing to improve the wear life of the chain



Conveyor Chains With Rubber Top (CHOHO Chain No. 08B-G2)  
橡胶附板链 ( 征和链号08B-G2 )



P (mm)	节距 Pitch	d1 (mm)	滚子直径 Roller diameter	d2 (mm)	销轴直径 Pin diameter
12.70		7.92		3.96	
T (mm)	链板厚度 Plate thickness	B (mm)	附板宽度 Attachment dimensions	Q <sub>min</sub> (kN)	抗拉强度 Ultimate tensile strength
1.50		24.20		13.80	

\*图纸仅为该类别下代表型号，表格仅列举部分重要参数，更多同类型号及详细参数可查阅最新工业链册。

# FULL RANGE OF ROLLER CHAIN

滚子链



## INTRODUCE

Roller chain is the most common conveyor chain, after a period of technological innovation and process improvement, has been derived from various features of the upgraded products.

滚子链是最常见、用途最为广泛的一种输送链条，经过不段的技术创新与工艺改进，现已衍生出高耐磨、高强度、高疲劳、免维护、不锈钢以及不同表面处理等各种特性的升级产品。

### 行业应用 APPLICATION INDUSTRY



工业流水线 Assembly line



钢铁建筑业 Steel construction industry



印刷包装业 Printing and packaging industry

CHOHO

## FEATURES 产品特点

另有直板输送链可选  
Straight conveyor chain is available

### 滚子 Roller

无缝冷镦一体成型，具有极佳的抗冲击能力

Seamless cold heading integrated molding, with excellent impact resistance performance

### 内链板 Inner Plate

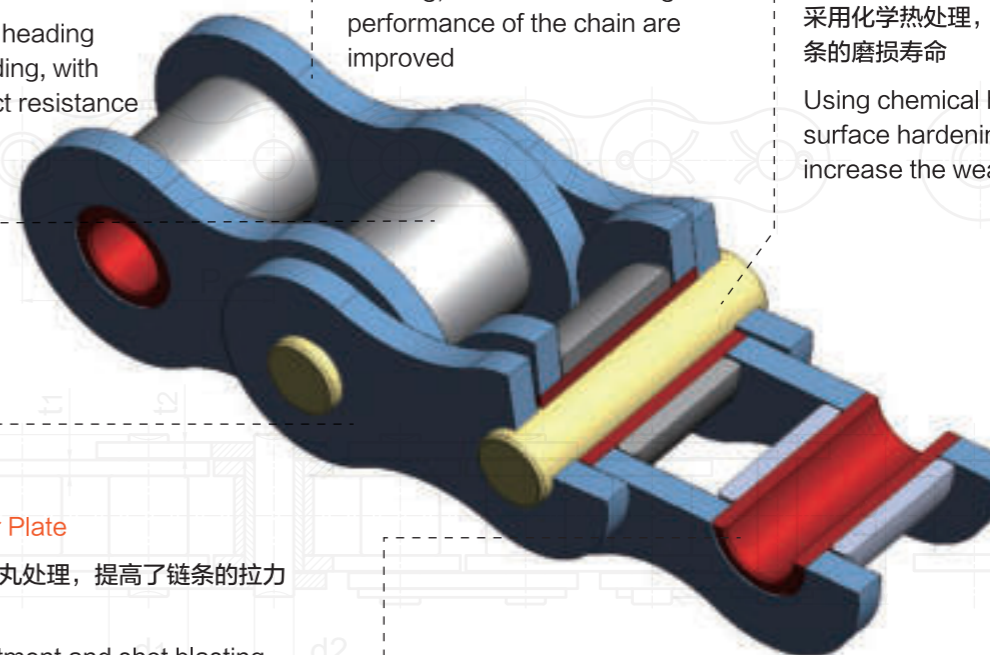
经过热处理和抛丸处理，提高了链条的拉力和疲劳性能

After heat treatment and shot blasting, the tensile and fatigue performance of the chain are improved

### 销轴 Pin

采用化学热处理，表面硬化层可增加链条的磨损寿命

Using chemical heat treatment, the surface hardening layer can increase the wear life of the chain



### 外链板 Outer Plate

经过热处理和抛丸处理，提高了链条的拉力和疲劳性能

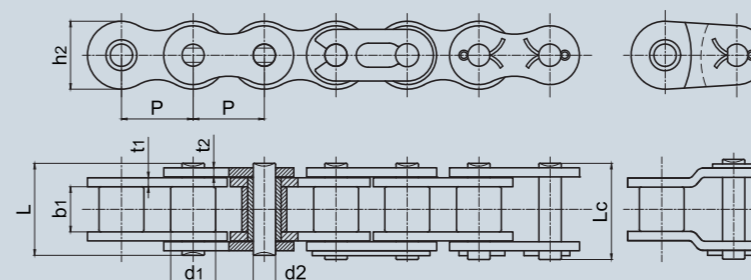
After heat treatment and shot blasting, the tensile and fatigue performance of the chain are improved

### 套筒 Bush

无缝冷镦一体成型，特殊工艺处理，提高链条磨损寿命

Seamless cold heading integrated molding, Special processing to improve the wear life of the chain

Short Pitch Precision Roller Chains (A series) (DIN Chain No. 085-1)  
A系列短节距精密滚子链 (DIN链号085-1)



P (mm)	节距 Pitch	d1 (mm)	滚子直径 Roller diameter	d2 (mm)	销轴直径 Pin diameter
12.70		7.77		3.60	
T (mm)	内节内宽 Width between inner plates	T (mm)	链板厚度 Plate thickness	Q <sub>min</sub> (kN)	抗拉强度 Ultimate tensile strength
6.25		1.20		12.3	

\*图纸仅为该类别下代表型号，表格仅列举部分重要参数，更多同类别型号及详细参数可查阅最新工业链手册。